

CH 07

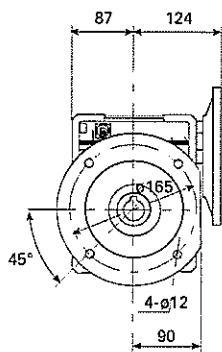
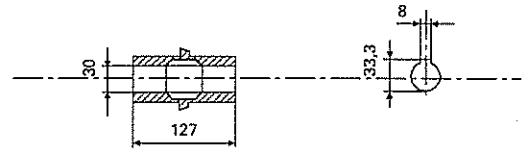
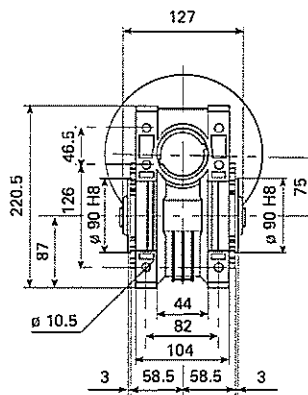
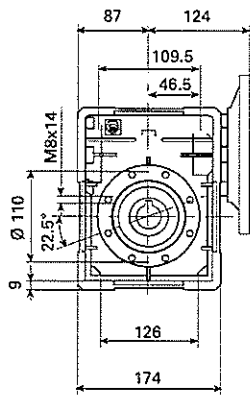
PRESTAZIONI CON MOTORI A 4 POLI - 1400 GIRI ENTRATA PERFORMANCE WITH 4-POLE MOTORS - 1400 REVS. INPUT

| TIPO | i=ratio | n2 r/min | Kw=P1 | Nm=T2 | f.s. | Pred. attacco motore possibili | |
|--------------|---------|----------|-------|-------|------|-------------------------------------|----------|
| TYPE | i=ratio | n2 r/min | Kw=P1 | Nm=T2 | f.s. | Possible types of motor connections | |
| | 7 | 200 | 4 | 170 | 1.1 | 100/90 | B5/B14 |
| | 10 | 140 | 3 | 175 | 1.3 | 100/90 | B5/B14 |
| | 15 | 93 | 3 | 250 | 1.0 | 100/90 | B5/B14 |
| | 20 | 70 | 2.20 | 240 | 1.0 | 100/90 | B5/B14 |
| CH 07 | 25 | 56 | 1.85 | 250 | 1.0 | 90/80 | B5/B14 |
| | 30 | 47 | 1.50 | 230 | 1.2 | 90/80 | B5/B14 |
| | 40 | 35 | 1.1 | 215 | 1.2 | 90/80 | B5/B14 |
| | 50 | 28 | 1.1 | 220 | 0.9 | 90/80 | B5/B14 |
| | 60 | 23 | 0.75 | 200 | 1.0 | 90/80 | B5/B14 |
| | 80 | 17 | 0.55 | 180 | 1.0 | 80/71 | B5/B14 * |
| | 100 | 14 | 0.37 | 140 | 1.1 | 80/71 | B5/B14 * |

*71 solo - only B5

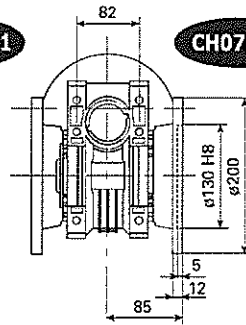
Peso Kg 9,2
Weight Kg 9,2

CH 07 DIMENSIONI - DIMENSIONS



CH07FC 1

CH07FC 2



CH07F1

CH07F2

